

PLS-041B-3PAI

PLS-041B-3PAI

Standard Level Sensor



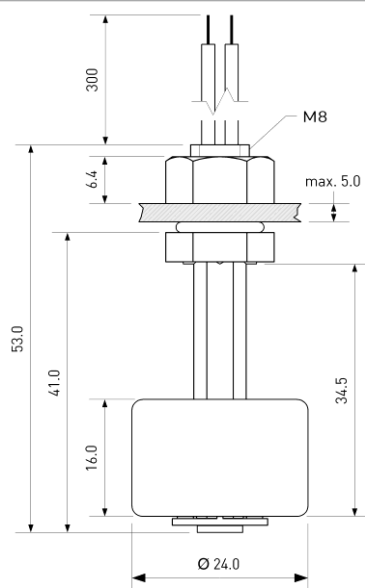
Electrical Characteristics		@ 25 °C
Contact form		B
Contact rating max.	W / VA	10
Switching voltage max.	VDC	200
	VAC	140
Switching current max.	A	1
Carry current max.	A	1.2
Breakdown voltage min.	VDC	240
Total resistance max.	mΩ	280

Environmental Characteristics		
Operating temperature	°C	-20 to +80
Storage temperature	°C	-30 to +80

Mechanical Characteristics		
Density of float typ.*	g / cm ³	0.76
Recommended minimum gravity of medium	g / cm ³	Density of float + 20%

* in delivery condition

Dimensions in mm



Features
<ul style="list-style-type: none"> ➤ Polyamide housing ➤ M8 thread ➤ Covers a wide range of applications ➤ Customized types available

Approvals

Ordering Information		
Packing Unit	10	pcs
Weight per piece	12	g
Weight per package	128	g

© PIC GmbH

PLS-041B-3PAI



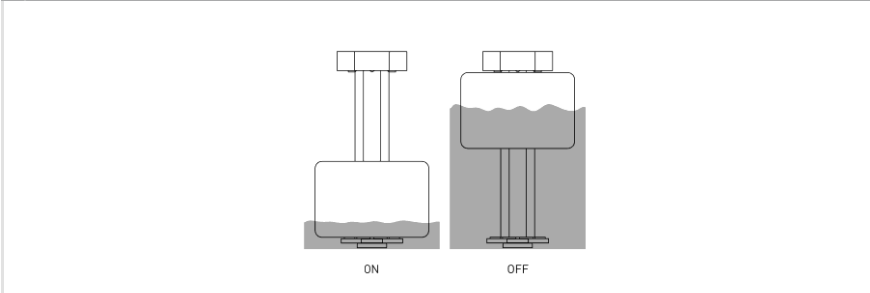
PLS-041B-3PAI

Standard Level Sensor

Material Information

	Material	Colour
Housing	PA-GF	black
Cable	UL 1007, AWG 24, 4 mm stripped and tinned	black
Nuts	PA6, M8, 1 pc preassembled	black
Float	PA6 foam	black
Potting	PU / Epoxy	black
Sealing ring	FPM	black

Operation View

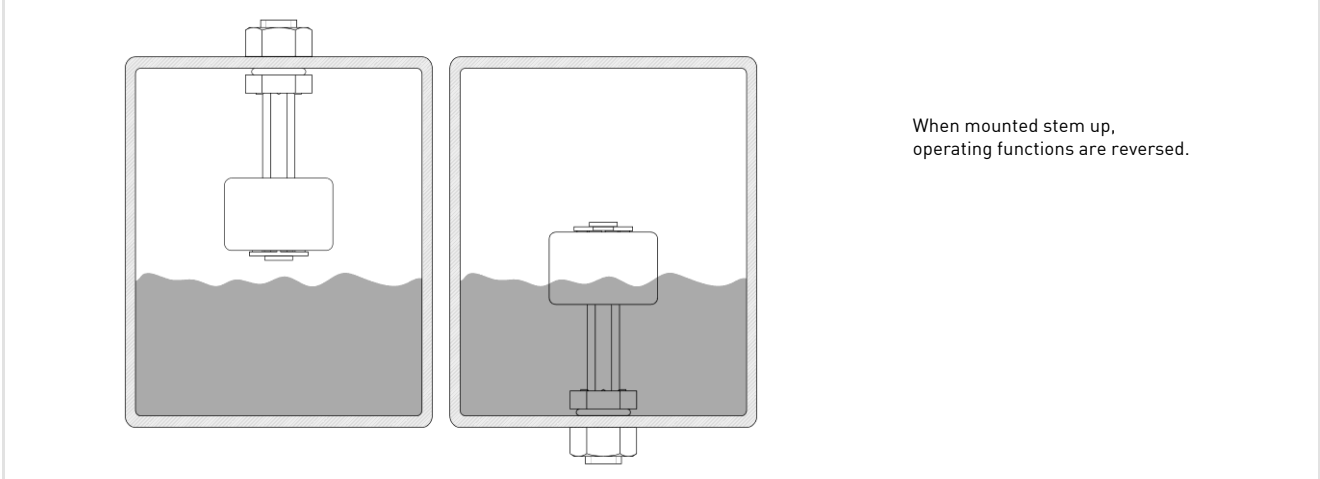


Remarks

When mounted near ferromagnetic parts switching distance of PLS-041B-3PAI may vary.

Electromagnetical influences and magnetic fields may change the switching behaviour of the Level Sensor.

Mounting



When mounted stem up, operating functions are reversed.