

TS-3511-02-0300

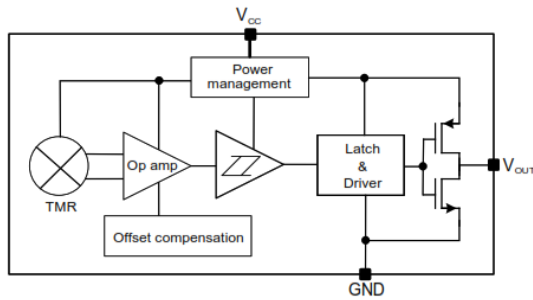


Product image serves as example only.

## TS-3511-02-0300

**Bipolar Latching**  
Flange Mount TMR Sensor

### Block Diagram



### Features

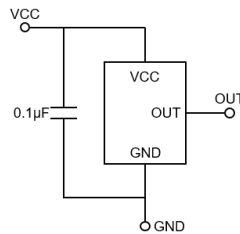
- Compact size
- CMOS push-pull output
- Ultra-Low power consumption
- Excellent thermal stability
- High frequency response
- High sensitivity

### Approvals

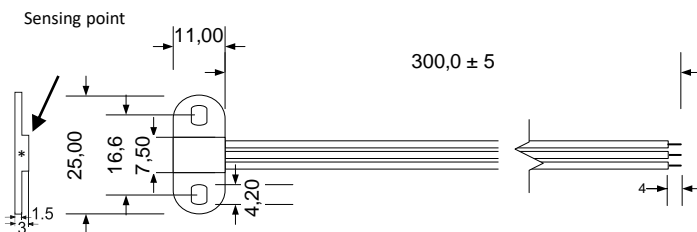


### Application Information

In our products an external bypass capacitor is connected in close proximity to the device between the supply and ground pins to reduce noise. The value for the external bypass capacitor is 0.1  $\mu$ F.



### Dimensions



### Wire Assignment

| Symbol           | Function       | Wire Colour |
|------------------|----------------|-------------|
| V <sub>CC</sub>  | Supply Voltage | Blue        |
| V <sub>OUT</sub> | Output         | White       |
| GND              | Ground         | Black       |

TS - 3511 - 02 - 0300

Wire Length [mm]

### Material Information

|                  | Material           | Colour             |
|------------------|--------------------|--------------------|
| Housing          | PA6                | Black              |
| Wire             | UL1007/1569, AWG24 | Blue, White, Black |
| Potting Compound | Epoxy              | Black              |

### Environmental Characteristics

|                       |    |              |
|-----------------------|----|--------------|
| Operating Temperature | °C | - 20 to + 85 |
|-----------------------|----|--------------|

TS-3511-02-0300



**TS-3511-02-0300**

**Bipolar Latching**  
Flange Mount TMR Sensor

#### Electrical Characteristics

| Parameter           | Symbol | Condition   | Min.                  | Typ. | Max. | Unit |
|---------------------|--------|-------------|-----------------------|------|------|------|
| Supply voltage      | VCC    | operating   | 1,8                   | 3    | 5,5  | V    |
| Output high voltage | VOH    | RP status   | VCC-0.3               | -    | VCC  | V    |
| Output low voltage  | VOL    | OP status   | 0                     | -    | 0,2  | V    |
| Supply current      | ICC    | output open | 0,5                   | 1,5  | 2    | μA   |
| Response frequency  | F      | -           | 0 to 1000             |      |      | Hz   |
|                     |        |             | 0 to 5000 unavailable |      |      | Hz   |

#### Absolute Maximum Ratings

| Parameters            | Symbol            | Min. | Max. | Unit |
|-----------------------|-------------------|------|------|------|
| Supply voltage        | VCC               | -0,3 | 7    | V    |
| Output current        | ISINK and ISOURCE | -    | 9    | mA   |
| Magnetic flux density | B                 | -    | 400  | mT   |
| ESD performance (HBM) | VESD              | -    | 4    | kV   |

**Note:** I<sub>SINK</sub> is the current flowing through the high side MOSFET, when the high side MOSFET is turned on and I<sub>SOURCE</sub> is the current flowing through the low side MOSFET when the low side MOSFET is turned on.

#### Magnetic Characteristics

| Parameter     | Symbol | Min. | Typ. | Max. | Unit |
|---------------|--------|------|------|------|------|
| Operate point | BOP    | 0,2  | 0,5  | 0,9  | mT   |
| Release point | BRP    | -0,9 | -0,5 | -0,2 | mT   |
| Hysteresis    | BH     | 0,4  | -    | 1,8  | mT   |

TS-3511-02-0300



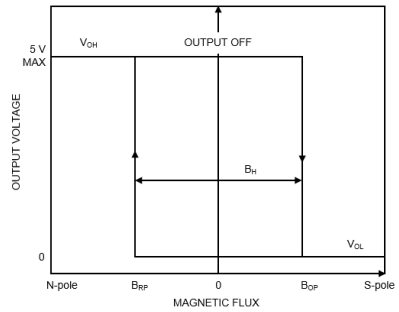
## TS-3511-02-0300

**Bipolar Latching**  
Flange Mount TMR Sensor

### Output Behavior vs. Magnetic Pole

| Parameter  | Test Conditions | Output     |
|------------|-----------------|------------|
| South Pole | $B > B_{Op}$    | Low (On)   |
| North Pole | $B < B_{Rp}$    | High (Off) |

**Note:** When power is turned on under zero magnetic field, the output is "High".



### Magnetic Approach (for example) for Bipolar Type

