



MS-1627E

E-Bike Sensor



Product image serves as example only.

Electrical Characteristics

@ 25°C

Contact form		A
Contact rating max.	W / VA	10
Switching voltage max.	VDC	200
	VAC	140
Switching current max.	A	1
Carry current max.	A	1.2
Breakdown voltage min.	VDC	240
Total resistance max. (initial)	mΩ	200
Insulation resistance min.	Ω	10 ¹⁰

Magnetical Characteristics (of unmodified Reed Switch)

@ 25°C

Pull in range available	AT	10- 15
Drop out min.	AT	4
Test coil for unmodified switch	TC	014
Test equipment tolerance	± AT	1

Operating Characteristics (of unmodified Reed Switch)

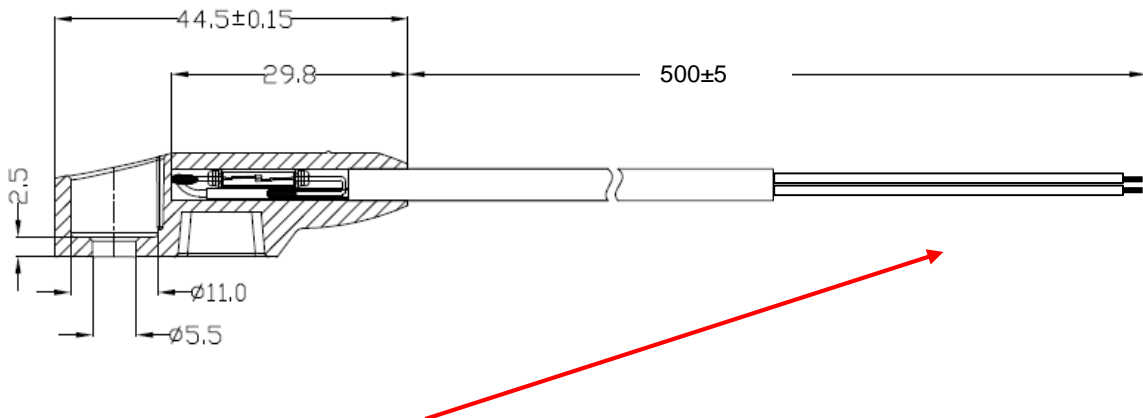
@ 25°C

Switching frequency max.	Hz	500
Resonant frequency typ.	Hz	4000
Operate time max. (incl. bounce)	ms	1
Release time max.	ms	0.4

Environmental Characteristics

Operating temperature	°C	-20 to +85
Vibration (50-2000 Hz)	g	20
Shock (1/2 sin 11 ms)	g	100

Dimensions of final Reed Sensor in mm



Remarks

Customizable cable length
and connector possible

Matching Spoke Magnet
PIC-SM115153 available as well



MS-1627E E-Bike Sensor



Material Information

Housing material	PC, black
Potting material	PU, black
Cable information	Coroplast black, TT3 PUR FLR9Y11Y, 2x0.35mm ² , dia 4.0-0.4mm, 2 cores 20mm dismantled , max. 10mm core ends stripped

Remarks

When mounted onto ferromagnetic parts switching distance of MS-1627E may reduce.
Electromagnetic influences and magnetic fields may change the switching behaviour of the sensor.