

## PLS-031A-6PAI



## PLS-031A-6PAI

Power Level Sensor

### Electrical Characteristics @ 25 °

Contact form		A
Contact rating max.	W / VA	50
Switching voltage max.	VDC	200
	VAC	250
Switching current max.	A	1.5
Carry current max.	A	2
Breakdown voltage min.	VDC	400
Total resistance max.	mΩ	150

### Environmental Characteristics

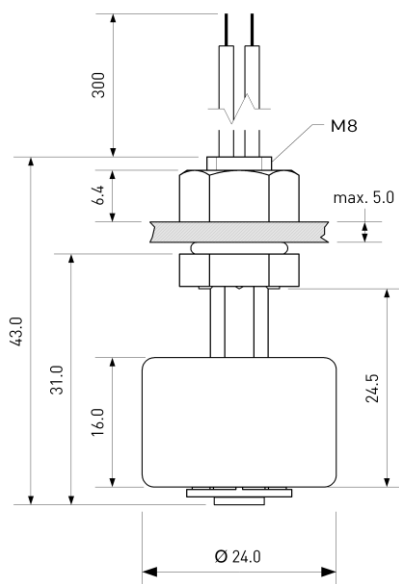
Operating temperature	°C	-20 to +80
Storage temperature	°C	-30 to +80

### Mechanical Characteristics

Density of float typ.*	g / cm <sup>3</sup>	0.76
Recommended minimum gravity of medium	g / cm <sup>3</sup>	Density of float + 20%

\* in delivery condition

### Dimensions in mm



### Features

- > Polyamide housing
- > Mains voltage variant
- > typ. Load resistive
- > M8 thread
- > Customized types available

### Approvals



Contact PIC for Agency Ratings!

### Ordering Information

Packing Unit	10	pcs
Weight per piece	12.2	g
Weight per package	130	g



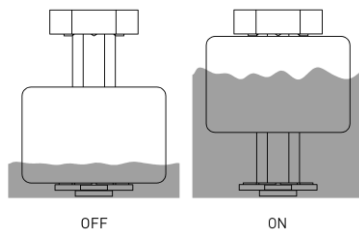
# PLS-031A-6PAI

Power Level Sensor

## Material Information

	Material	Colour
Housing	PA	black
Cable	UL 1007, AWG 22, 4 mm stripped and tinned	black
Nuts	PA6, M8, 1 pc preassembled	black
Float	PA6 foam	black
Potting	PU / Epoxy	black
Sealing ring	FPM	black

## Operation View

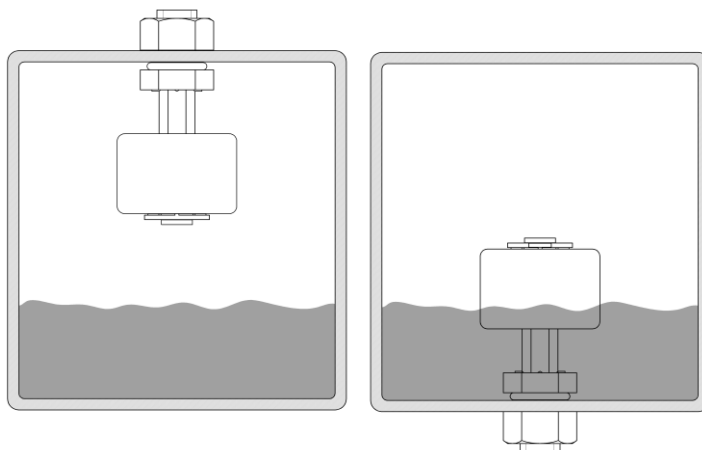


## Remarks

When mounted near ferromagnetic parts switching distance of PLS-031A-6PAI may vary.

Electromagnetical influences and magnetic fields may change the switching behaviour of the Level Sensor.

## Mounting



When mounted stem up, operating functions are reversed.