

PLS-031A-3PAI



PLS-031A-3PAI

Miniature Level Sensor

Electrical Characteristics @ 25 °

Contact form		A
Contact rating max.	W / VA	10
Switching voltage max.	VDC	200
	VAC	140
Switching current max.	A	1
Carry current max.	A	1.2
Breakdown voltage min.	VDC	240
Total resistance max.	mΩ	280

Environmental Characteristics

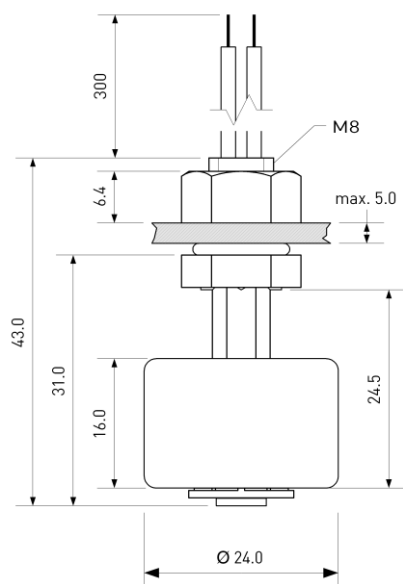
Operating temperature	°C	-20 to +80
Storage temperature	°C	-30 to +80

Mechanical Characteristics

Density of float typ.*	g / cm ³	0.76
Recommended minimum gravity of medium	g / cm ³	Density of float + 20%

* in delivery condition

Dimensions in mm



Features

- > Polyamide housing
- > typ. Load resistive
- > M8 thread
- > Customized types available

Approvals



Contact PIC for Agency Ratings!

Ordering Information

Packing Unit	10	pcs
Weight per piece	11	g
Weight per package	115	g



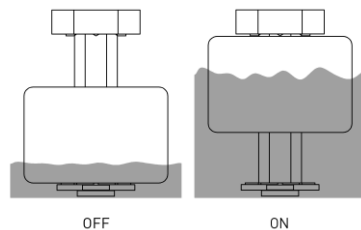
PLS-031A-3PAI

Miniature Level Sensor

Material Information

	Material	Colour
Housing	PA	black
Cable	UL 1007, AWG 24, 4 mm stripped and tinned	black
Nuts	PA6, M8, 1 pc preassembled	black
Float	PA6 foam	black
Potting	PU / Epoxy	black
Sealing ring	FPM	black

Operation View

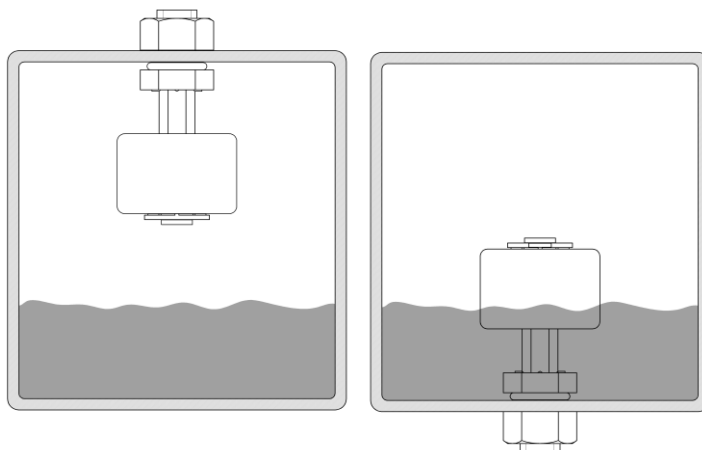


Remarks

When mounted near ferromagnetic parts switching distance of PLS-031A-3PAI may vary.

Electromagnetical influences and magnetic fields may change the switching behaviour of the Level Sensor.

Mounting



When mounted stem up, operating functions are reversed.